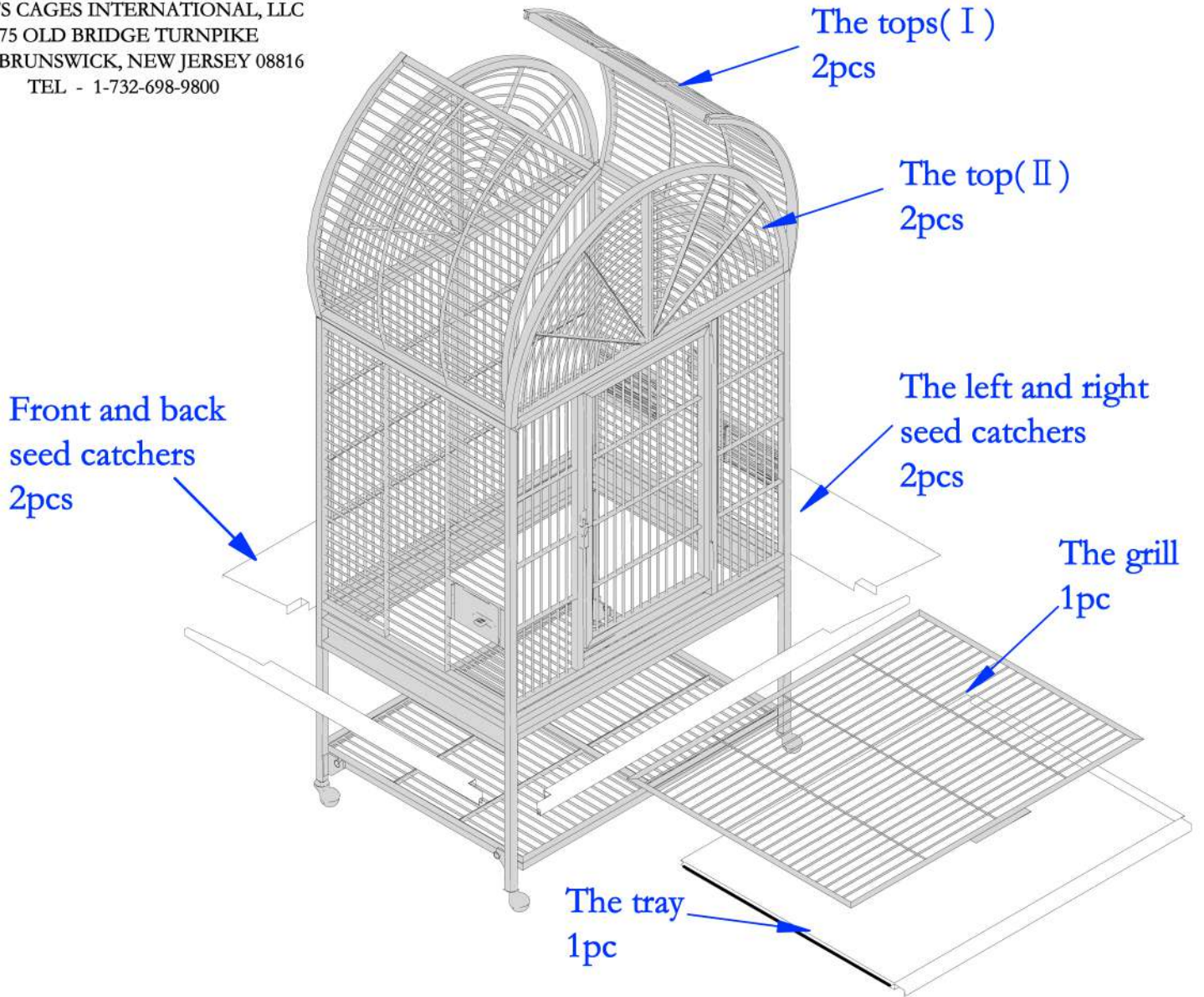




ACA 2522 & 3325 Instructions

KING'S CAGES INTERNATIONAL, LLC
375 OLD BRIDGE TURNPIKE
EAST BRUNSWICK, NEW JERSEY 08816
TEL - 1-732-698-9800



Inside perch A
1pc
(ACA3325 Only)



(A)

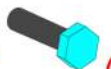
Feeder cup B
4pcs



(ACA2522 Comes With 3 Cups)

(B)

Hex bolt
1/4-20*1/2 inch
4pcs



(C)

Inside perch B
2pcs



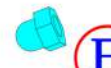
(D)

Seed Catcher plastic
corner clips
4pcs



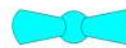
(E)

Hex nut
1/4-20 inch
4pcs



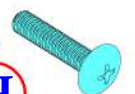
(F)

Wing Nut
2pcs



(G)

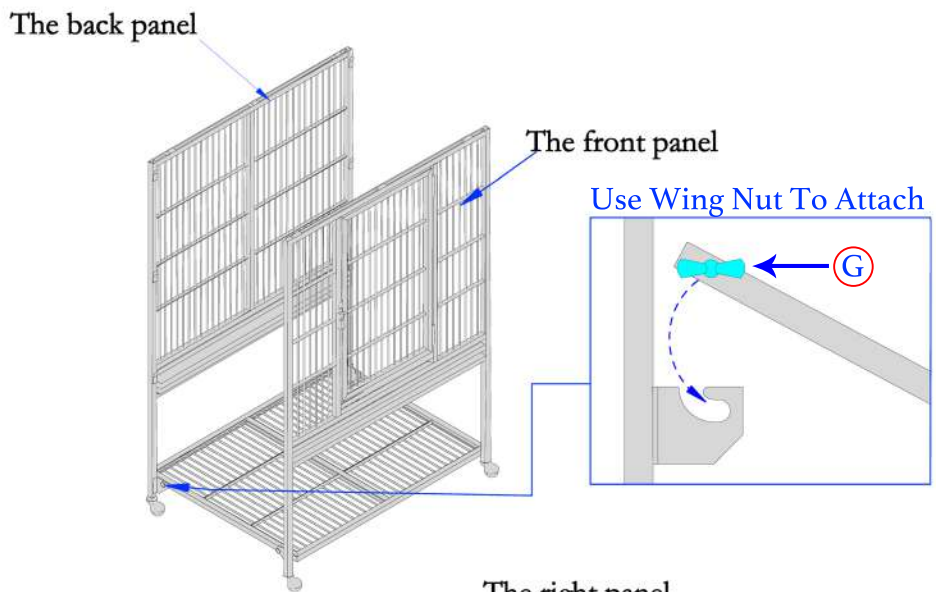
Round Head Bolt
M4*10mm
4pcs



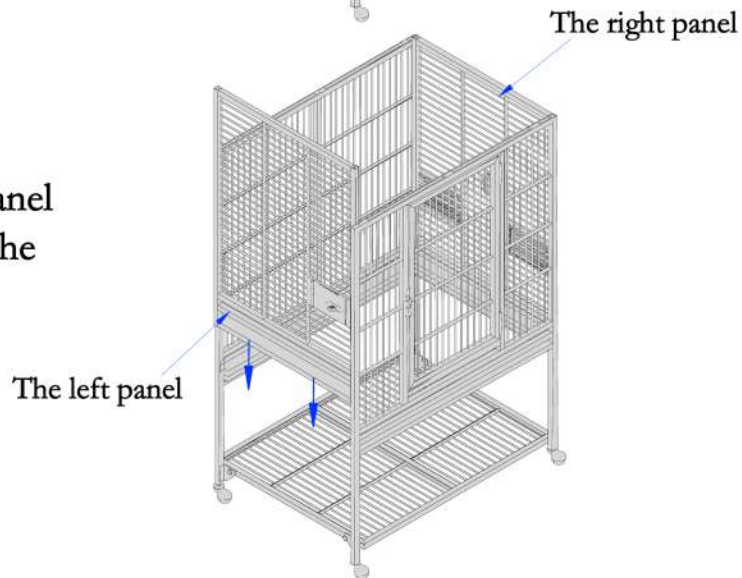
(H)

ACA 2522 & 3325 Instructions

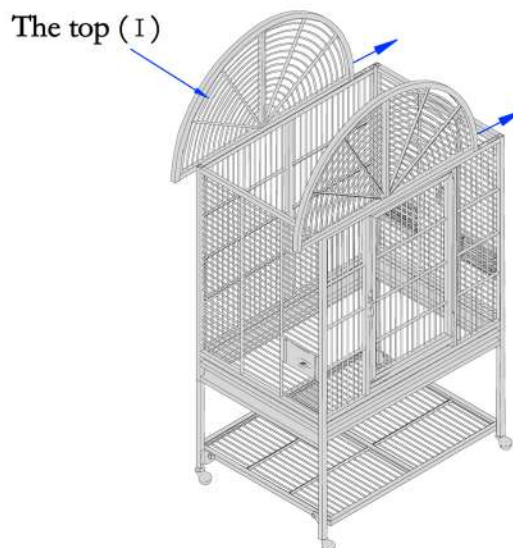
* Be careful not to over tighten screws
Step 1, Insert the front and back panel.



Step 2, Insert the left panel and the right panel to the front and back panel.



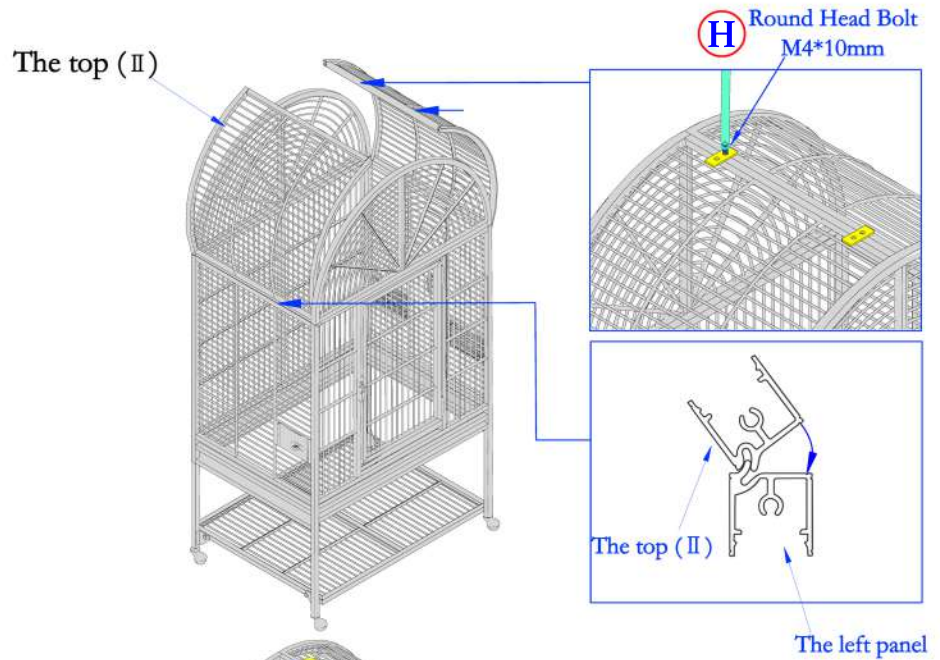
Step 3, Insert the top (I).



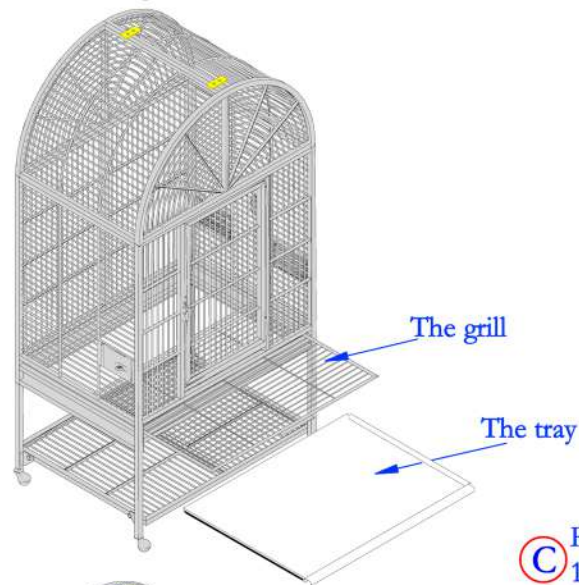
ACA 2522 & 3325 Instructions

* Be careful not to over tighten screws

Step 4, Insert the top (II).

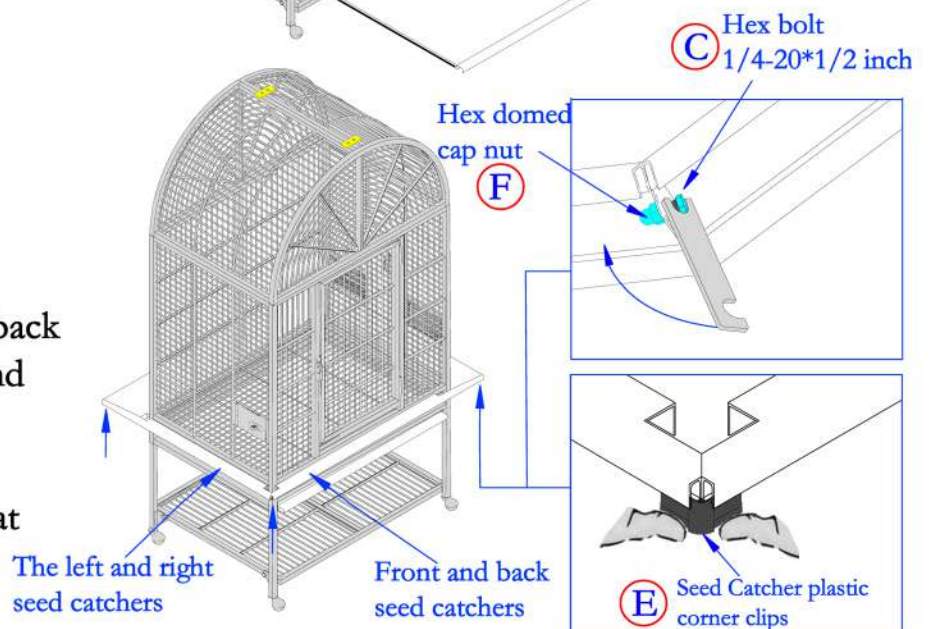


Step 5, Insert the grill and the tray.



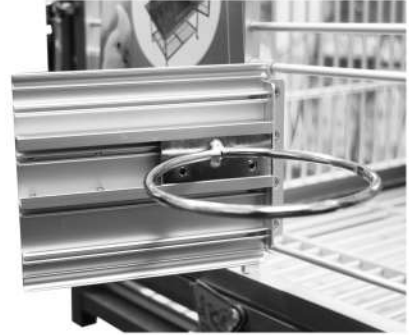
Step 6, Insert the front and back seed catchers and the left and right seed catchers.

Using screws and nuts to secure the seed catchers at its bottom.



ACA 2522 & 3325 Instructions

Stainless Steel Cup, Cup
Ring, Screws, Allen Key



Place the cup ring inside the
feeder door track as shown.
Make sure you slide it all the
way to the door hinge before
tightening the screws.
Screws must be placed on the
inside as shown.

Step 8, Finished

