



# Home On-the-Go Dog Crate

# SET-UP

These instructions also online at [www.prevuepet.com](http://www.prevuepet.com)

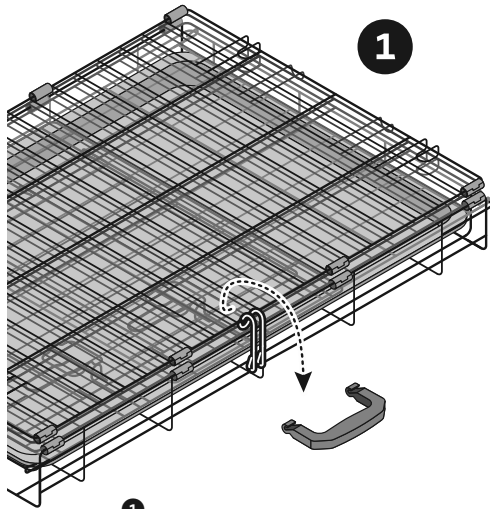
## CUSTOMER SUPPORT

PHONE 1 (312) 243-3624

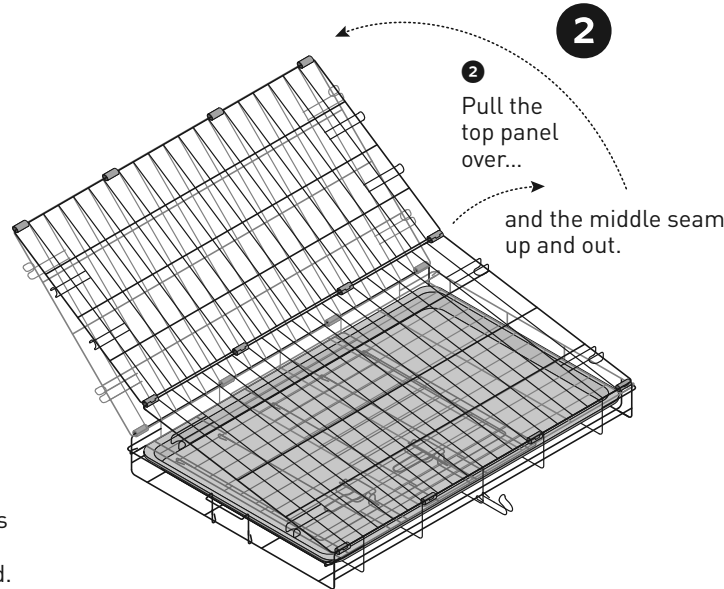
ONLINE [www.prevuepet.com](http://www.prevuepet.com)

EMAIL [customerservice@prevuepet.com](mailto:customerservice@prevuepet.com)

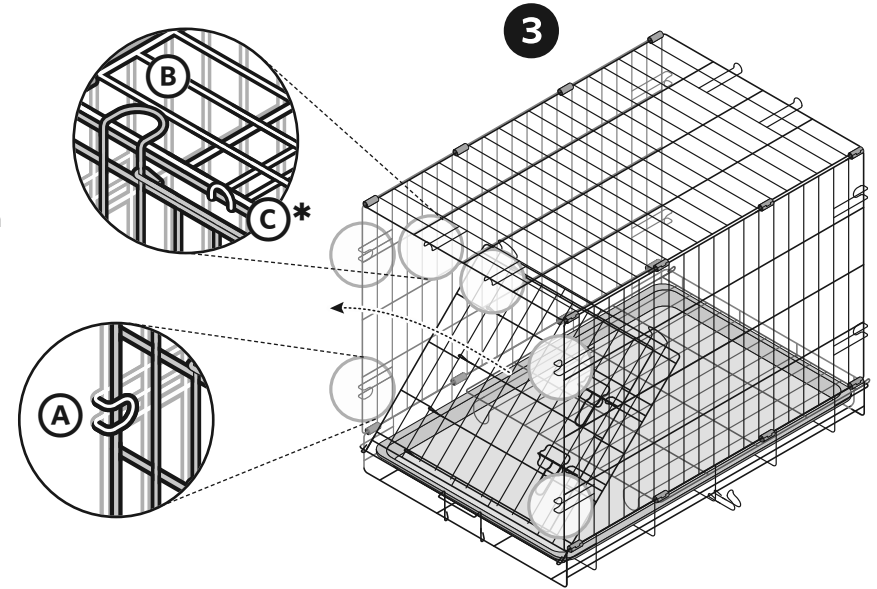
NO TOOLS REQUIRED • Set-up or fold flat for storage. Steps are similar across all Prevue Dog Crate models.



**1** Unfasten the wire clip holding the panels together. Clip stays hinged to the wire. The handle may be removed, if preferred.

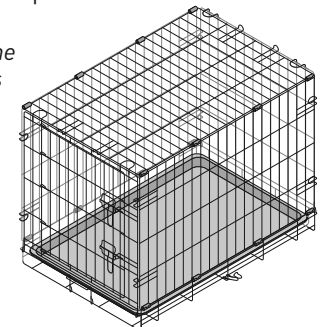
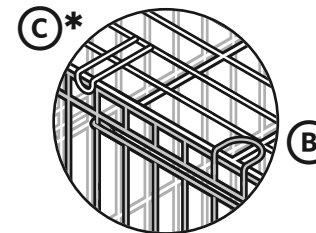


**2** Pull the top panel over... and the middle seam up and out.



**3** Pull both end panels upright. Vertical edges will catch on the hooked loops **A**. Along the top, push the roof down to:  
1.) pull the extended loops **B** over the roof and  
2.) catch the extended loops **C\*** under the top wire of the front/back panels.

*NOTE: Models may vary. On larger crates, the extended loops may be in different positions and **C\*** may be pointed down.*



Assembly completed. ■

## To remove the tray for cleaning:

A wire clip holds the tray in position. Unhook the clip from the horizontal wire and slide the tray out.

