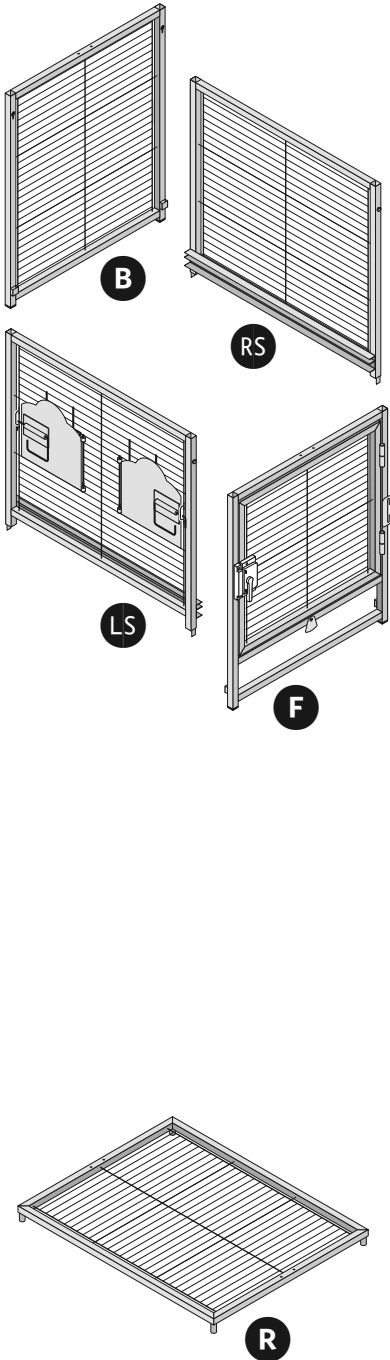


**KEY:**

- |                 |            |
|-----------------|------------|
| B = Back        | R = Roof   |
| RS = Right Side | H = Handle |
| F = Front       | G = Grille |
| LS = Left Side  | T = Tray   |

**1** PIECES

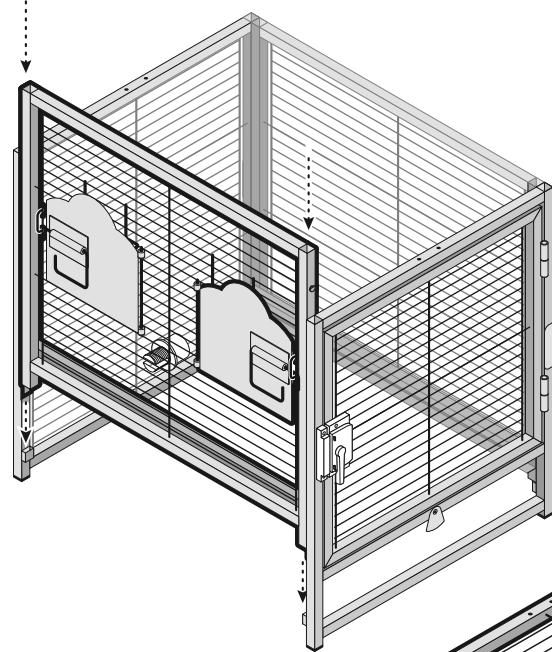
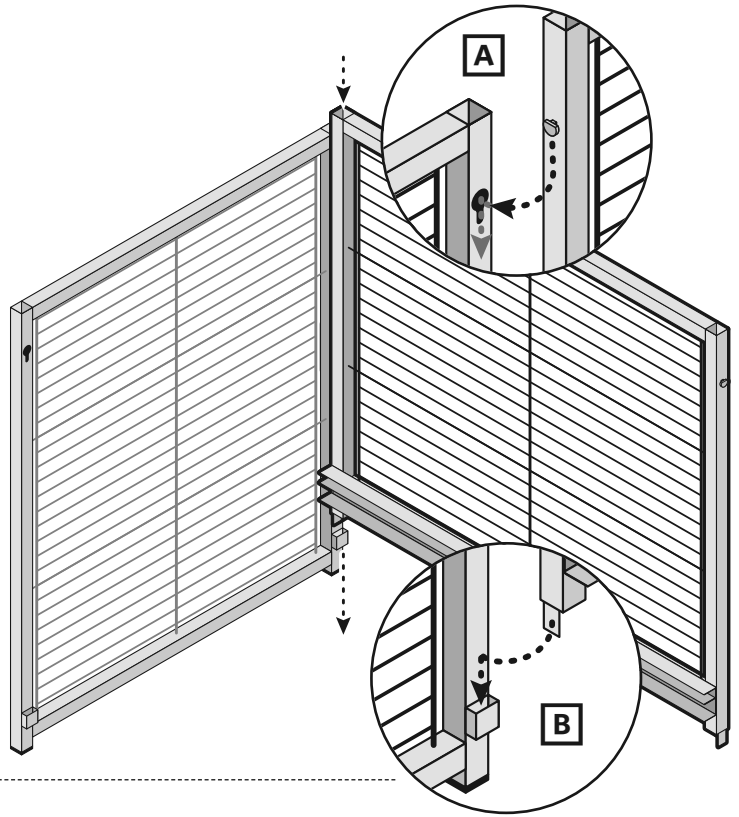


On the vertical surface of the **right side panel**:

**A**  
Insert the **knob** into the hole on the **back panel**.

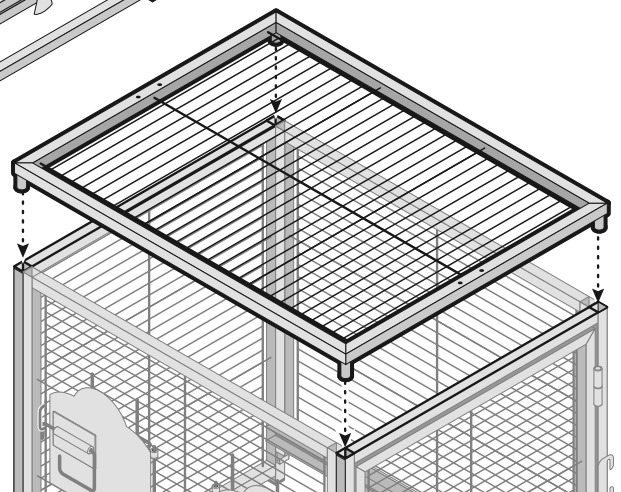
**B**  
Align the **extended tab** at the bottom of the frame above the sleeve on the **back panel**.

Slide the panel down to lock the knob into the hole slot and trapping the bottom tab in the sleeve.

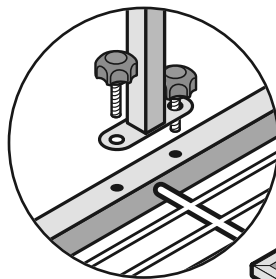
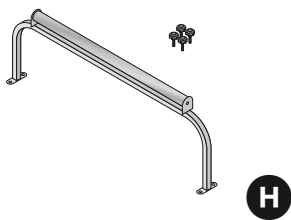


Continue around to the **front and left side panels**, assembling in the same manner.

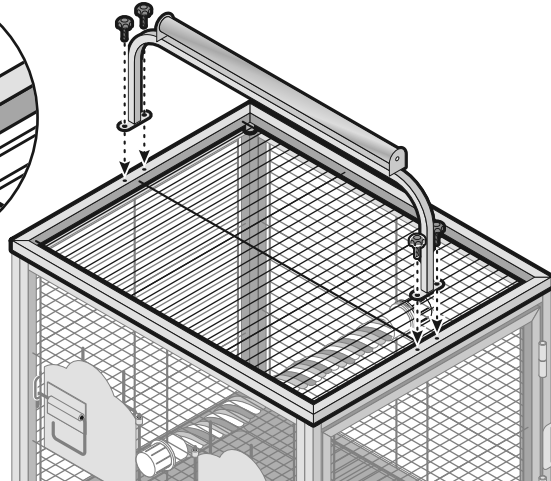
Insert the posts of the **roof** into the holes of the frame corners.



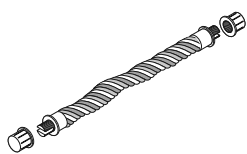
# 1 continued



Align the base of the **handle** with the holes on the roof, and attach by screwing the knobs down through the roof and into the frame underneath.



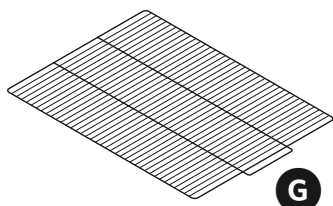
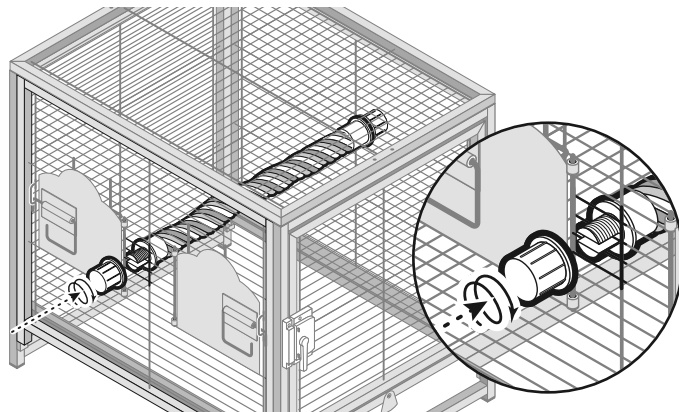
# 2 PIECES



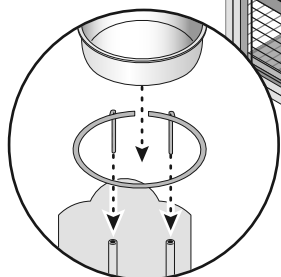
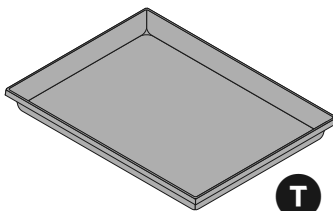
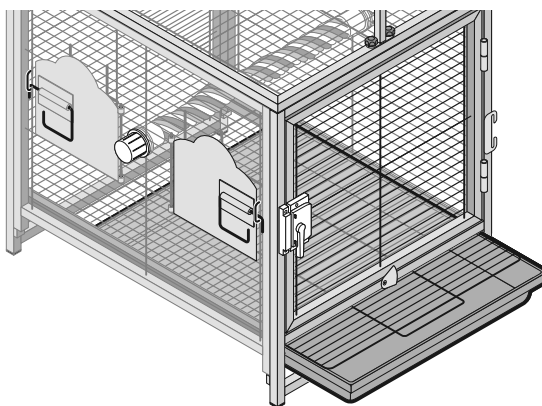
Unscrew the endcaps from the **rope perch**.

Install the perch on the inside of the cage, from side to side.

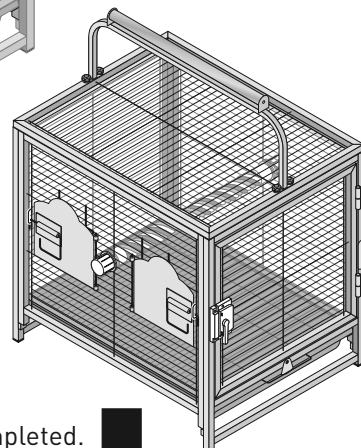
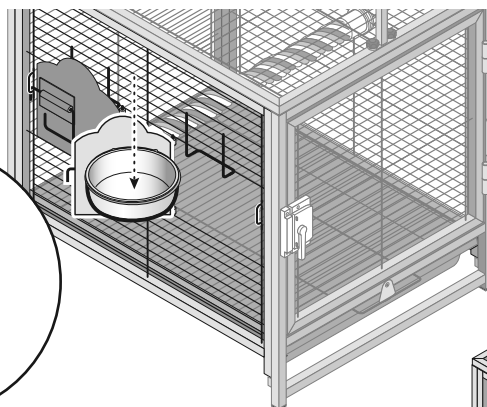
From the outside, replace the endcaps back onto the ends, to hold the perch in place.



Rotate the windbell lock up and slide the **grille** into the top channel and the **tray** into the bottom channel.



Open the cup doors.  
Insert the **cup holders** into the sleeves on the doors.  
Insert the **cups** into the holders.



Assembly completed. ■